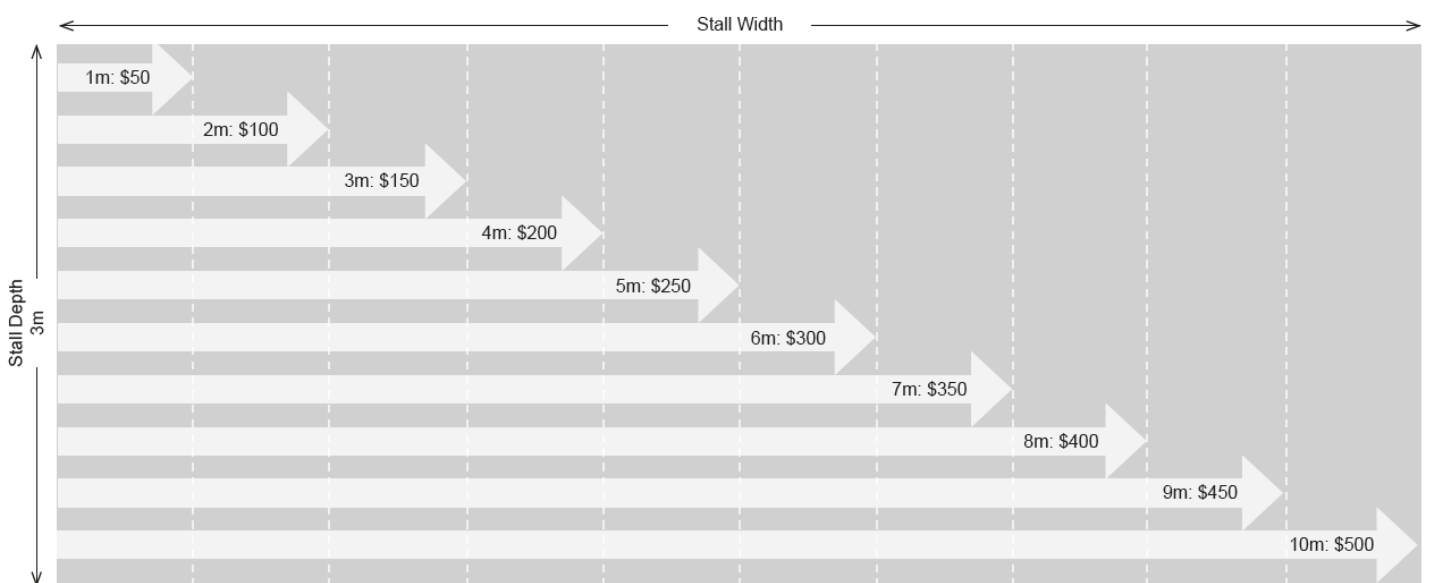


# STALL TYPE GUIDELINES, SITE REQUIREMENTS AND PRICING INFORMATION

## SITE PRICING STRUCTURE



# BRING YOUR OWN OPTIONS

## Custom branded marquee

**Site requirement:** Pending dimensions  
**Site Price:** \$50 per metre (width) or part there-of



# BRING YOUR OWN OPTIONS

## Van / Truck / Trailer

**Site requirement:** Pending dimensions  
**Site Price:** \$50 per metre (width) or part there-of

Ensure that all tow bars, awnings, stairs etc. are accounted for when indicating your required site dimensions.



# NOT ACCEPTABLE

## Generic pop-up tent

Example:

- Oz trail
- Coleman

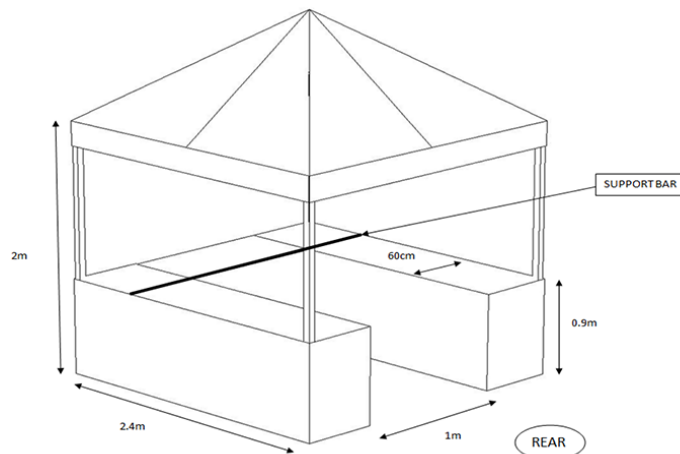


# PROVIDED OPTION – FETE STALL

Fete stall will be installed on your site prior to the event. You will be required to bring all equipment required for operation and are able to bring branded materials to decorate, however nothing may be adhered directly to the stall with adhesives. You will need to provide all equipment required to operate, including any tables and table cloths.

**Type:** Single Fete Stall  
**Dimensions:** 2.4m x 2.4m (tables on 3 sides)

**Price:** \$200  
**Site inclusion:** 3m site



**Type:** Double Fete Stall  
**Dimensions:** 4.8m x 2.4m (tables on 3 sides, not joined in the centre)  
**Site inclusion:** 5m site

**Price:** \$350



# PROVIDED OPTION - PAGODA

Pagoda will be installed on your site prior to the event. You will be required to bring all equipment required for operation and are able to bring branded materials to decorate, however nothing may be adhered directly to the stall with adhesives. You will need to provide all equipment required to operate, including any tables and table cloths.

**Type:** Single Pagoda  
**Dimensions:** 3m x 3m

**Price:** \$350  
**Site inclusion:** 3m site



**Type:** Double Pagoda  
**Dimensions:** 6m x 3m

**Price:** \$700  
**Site inclusion:** 6m site

