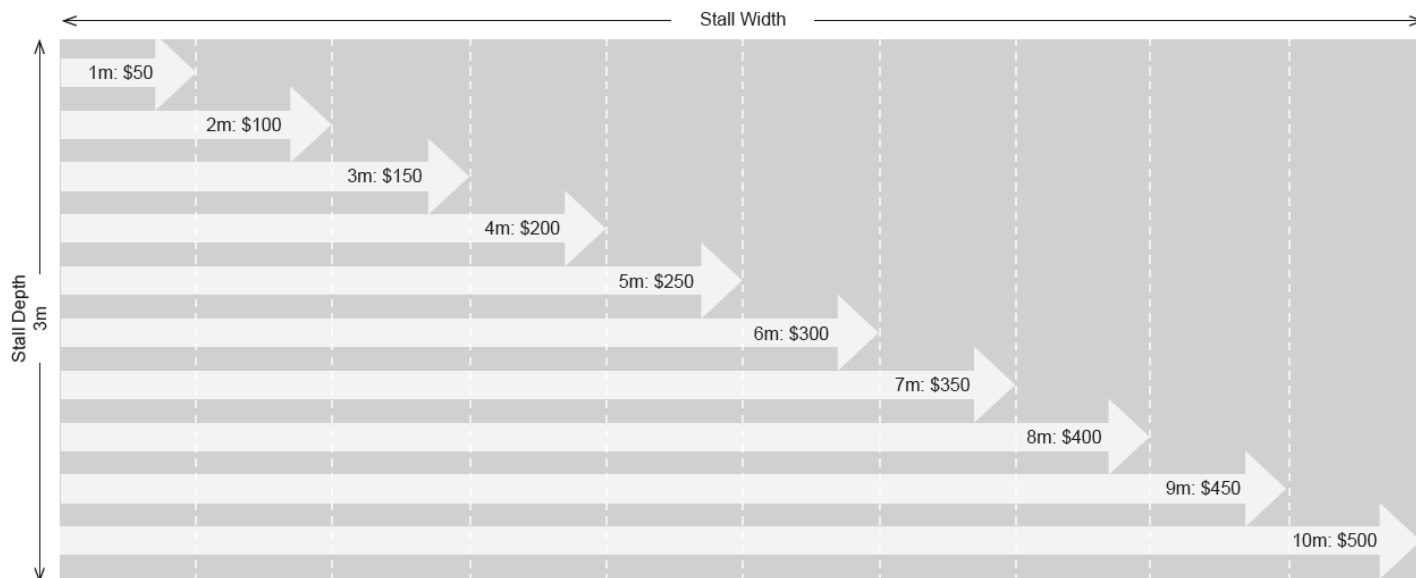


STALL TYPE GUIDELINES, SITE REQUIREMENTS AND PRICING INFORMATION

SITE PRICING STRUCTURE



BRING YOUR OWN OPTIONS

CUSTOM BRANDED MARQUEE

Site requirement: Pending dimensions
Site Price: \$50 per metre (width) or part there-of



BRING YOUR OWN OPTIONS

VAN / TRUCK / TRAILER

Site requirement: Pending dimensions
Site Price: \$50 per metre (width) or part there-of

Ensure that all tow bars, awnings, stairs etc. are accounted for when indicating your required site dimensions.



NOT ACCEPTABLE

Generic pop-up tent

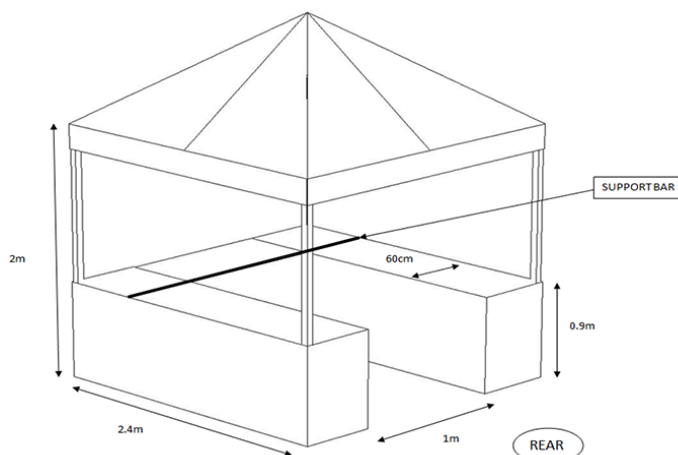
Example:

- Oz trail
- Coleman



PROVIDED OPTIONS

Type: Single Fete Stall
Total Price: \$200
Dimensions: 2.4m x 2.4m comes with tables on 3 sides
Site Inclusion: 3m site



Type: Double Fete Stall
Price: \$350
Dimensions: 4.8m x 2.4m comes with tables on 3 sides (not joined in the centre)
Site Inclusion: 5m site

Fete stall will be installed on your site prior to the event. You will be required to bring all equipment required for operation and are able to bring branded materials to decorate, however nothing may be adhered directly to the stall with adhesives.

PROVIDED OPTIONS

Type: Pagoda
Price: \$350
Dimensions: 3m x 3m
Site Inclusion: 3m site

You will need to provide all equipment required to operate, including any tables and table cloths.



PROVIDED OPTIONS

Type: Pagoda
Price: \$700
Dimensions: 6m x 3m
Site Inclusion: 6m site

You will need to provide all equipment required to operate, including any tables and table cloths.

