



# PAWS IN THE PARK 2024

STALL REQUIREMENTS

## CONTENTS

<b>1.</b>	<b>Site Pricing Structure</b> .....	<b>3</b>
<b>2.</b>	<b>Bring Your Own Options</b> .....	<b>4</b>
2.1	Custom Branded Marquee.....	4
2.1	Generic Pop Up Tent.....	5
2.2	Van/Truck/Trailer.....	6
<b>3.</b>	<b>Stall Hire Options</b> .....	<b>7</b>
3.1	Single Fete Stall .....	7
3.2	Double Fete Stall.....	8
3.3	Small Pagoda.....	9
3.4	Large Pagoda .....	10

## 1. Site Pricing Structure

	Stall Width (Frontage)									
	1m	2m	3m	4m	5m	6m	7m	8m	9m	10m
Stall Depth	2m	\$100	\$150	\$200	\$250	\$300	\$350	\$400	\$450	\$500
	3m	\$100	\$150	\$200	\$250	\$300	\$350	\$400	\$450	\$500
	4m	\$150	\$200	\$250	\$300	\$350	\$400	\$450	\$500	\$550
	5m	\$200	\$250	\$300	\$350	\$400	\$450	\$500	\$550	\$600
	6m	\$250	\$300	\$350	\$400	\$450	\$500	\$550	\$600	\$650
	7m	\$300	\$350	\$400	\$450	\$500	\$550	\$600	\$650	\$700
	8m	\$350	\$400	\$450	\$500	\$550	\$600	\$650	\$700	\$750
	9m	\$400	\$450	\$500	\$550	\$600	\$650	\$700	\$750	\$800
	10m	\$450	\$500	\$550	\$600	\$650	\$700	\$750	\$800	\$850

## 2. Bring Your Own Options

### 2.1 Custom Branded Marquee

Site Requirement:	Pending Dimensions
Site Price:	\$50 Per Metre Wide (or part there-of) >3 Meter Depth = \$50 Per Metre





## 2.1 Generic Pop Up Tent

<b>Site Requirement:</b>	Pending Dimensions
<b>Site Price:</b>	\$50 Per Metre Wide (or part there-of) >3 Meter Depth = \$50 Per Metre



## 2.2 Van/Truck/Trailer

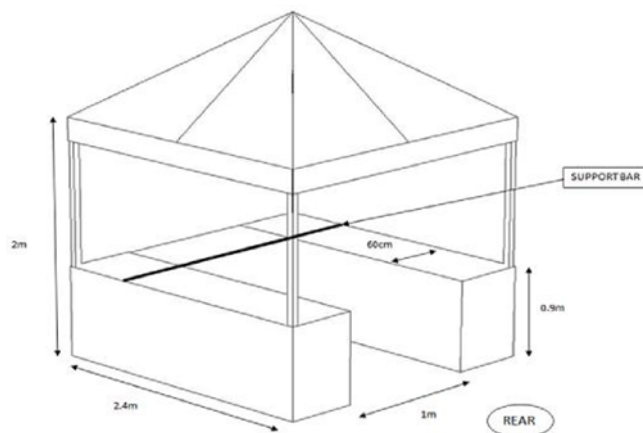
<b>Site Requirement:</b>	Pending Dimensions
<b>Site Price:</b>	\$50 Per Metre Wide (or part there-of) >3 Meter Depth = \$50 Per Metre
<b>Note:</b>	Ensure that all tow bars, awnings, stairs etc. are accounted for when indicating your required site dimensions.



### 3. Stall Hire Options

#### 3.1 Single Fete Stall

<b>Total Price:</b>	\$290.00 approx.
<b>Dimensions:</b>	2.4m x 2.4m
<b>Inclusions:</b>	3m Site and Tables on Three Sides
<b>Note:</b>	Fete Stall(s) will be installed on your site prior to the event. You will be required to bring all equipment required for operation and are able to bring branded materials to decorate, however nothing may be adhered directly to the stall with adhesives.





### 3.2 Double Fete Stall

<b>Total Price:</b>	\$580.00 approx.
<b>Dimensions:</b>	4.8m x 2.4m
<b>Inclusions:</b>	3m Site and Tables on Three Sides (Not Joined in Centre)
<b>Note:</b>	Fete Stall(s) will be installed on your site prior to the event. You will be required to bring all equipment required for operation and are able to bring branded materials to decorate, however nothing may be adhered directly to the stall with adhesives.



### 3.3 Small Pagoda

<b>Total Price:</b>	\$450.00 approx.
<b>Dimensions:</b>	3m x 3m
<b>Inclusions:</b>	3m Site
<b>Note:</b>	Pagoda(s) will be installed on your site prior to the event. You will be required to bring all equipment required for operation (including tables) and are able to bring branded materials to decorate, however nothing may be adhered directly to the stall with adhesives.



### 3.4 Large Pagoda

<b>Total Price:</b>	\$900.00 approx.
<b>Dimensions:</b>	6m x 3m
<b>Inclusions:</b>	6m Site
<b>Note:</b>	Pagoda(s) will be installed on your site prior to the event. You will be required to bring all equipment required for operation (including tables) and are able to bring branded materials to decorate, however nothing may be adhered directly to the stall with adhesives.





70 Central Ave,  
Oran Park NSW 2570



13 CAMDEN (13 226336)



mail@camden.nsw.gov.au



PO Box 183, Camden 2570



camden.nsw.gov.au